



Upgrading your Frost Solutions Mini-Weather Station

1. Scan the QR code on the side of your new Mini-RWIS unit
2. Log in to your Frost account
3. Walk through steps for assembly as instructed; you can skip steps that aren't necessary (i.e. solar panel assembly).
4. Select the dropdown for which device location you are upgrading under Existing Device.
 - If you are relocating your device, click the link that says "Not replacing an existing device?" and set it up as if it were a new device.
 - If you do not see the dropdown, click the link that says "Replacing an existing device?"

Note: After selecting the device to replace, all data and images will be visible in the history at that location.

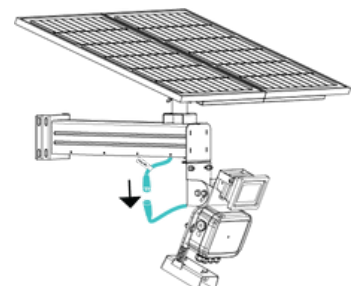
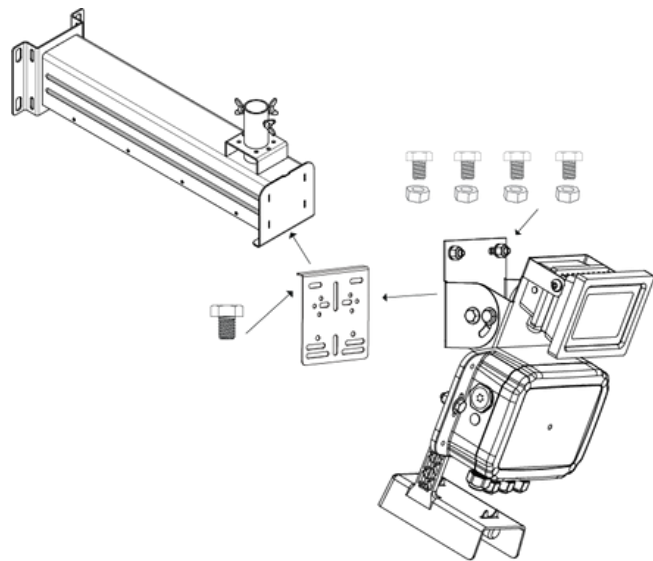
5. Remove the old sensor from the battery arm by unscrewing the bolt and cable connecting the unit to the battery

6. Remove the mounting plate from the back of the old sensor and attach it to the new sensor

7. Attach the sensor to the battery arm (1 bolt and battery cable)

8. Angle the camera and sensors as outlined in the setup process

9. Complete the steps in the process as instructed and click Finalize



Contact Support at support@frostsolutions.io or call 312-767-9423